

MEN.APT-20 Digital Thermostat



MEN.APT-20

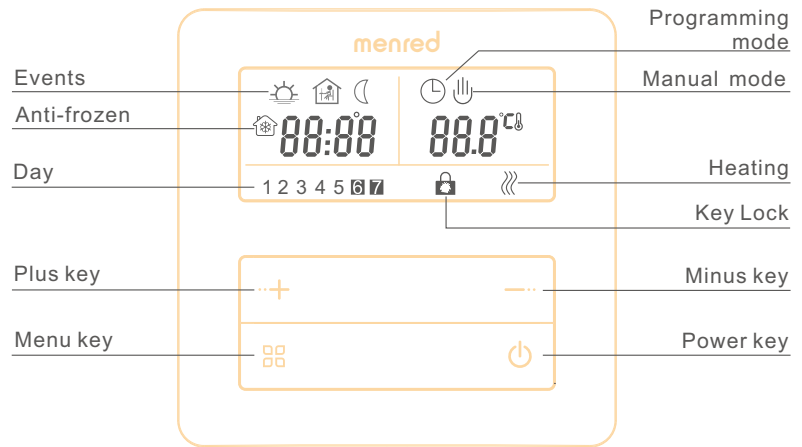
Introduction

LCD Digital Thermostat can select operation mode between Manual and Energy-saving Control. It can be applied to electric heating control or electric valve control in water heating.

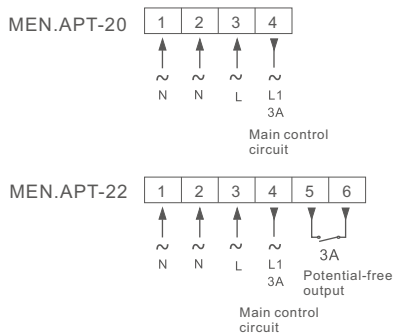
Technical data

Voltage	AC230V
Consumption	<1W
Temperature range	Default 5-35°C
Temperature switch differential	Default 1°C (0.5-10°C adjustable)
Ambient temperature	0-50°C
Protection class	IP20
Load capacity	3A
Connecting Cable	RVV0.5
Housing material	Anti-flame PC

Function and display explanation



Wiring diagram:



Selection table

Model Number	Current	Control Method
MEN.APT-20	3A	Built-in sensor
MEN.APT-22	3A	Built-in & floor sensor Potential-free linkage